

Richen Power

LIQUID LEVEL DISPLAY

**Read This First**



LIQUID LEVEL DISPLAY

**English**

This manual can be downloaded from the following website:  
<http://www.richenpower.com/services/>

## Specification

	LIQUID LEVEL DISPLAY
Weight	Air 31 g (0.03 oz), Ground 256g (9 oz)
Power Supply	DC 5 V ± 0.3
Demension Air (L x W x H)	60 x 35 x 25 mm/ 2.4 x 1.4 x 1.0 in
Range	5,000m default Antenna / up to 8,000m with Bigger Antenna
Frequency	433MHz
Power	1W
Endurance	Ground 5 + hours
Service Temperature	-20 ~ 85 °C
Charger	Mini USB

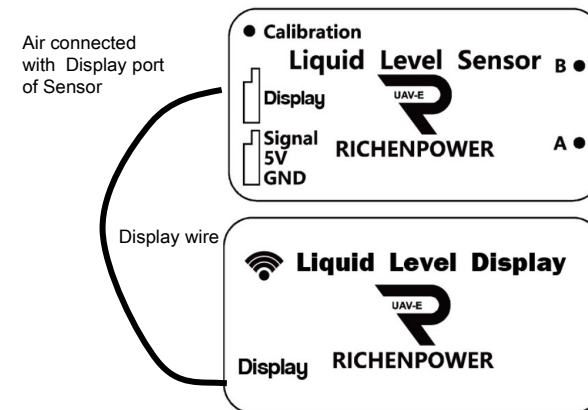
### Checking the bundled items

- Ground (1)
- Air (1)
- Manual (this)

## Installation and Use

- a. Stick Air on drone. Connect Display wire to Display port of Liquid Level Sensor.
- b. Switch Ground on. The Ground displays Liquid/Fuel level in percentage from 0% to 100%.
- c. Monitor the display of Ground. "S" blinking in bottom right of display means Air is connected normally.

NOTE: PAY ATTENTION TO THE "S". If "S" stops blinking, The displayed Liquid/ Fuel Level is the last received data. The Ground stops updating.



## Calibration

- a. Ground and Air are calibrated before delivery.
- b. There are numbers on Both Ground and Air. Only devices with same number can work together.

## Recharge the Ground

- a. The Ground shall be charged with Mini USB when the Battery light is "Red blinking".
- b. The Air does NOT need to be charged.
- c. Battery light strategy:

**Full** : light in "White"

**80%**: light in "Blue"

**60%**: light in "Green"

**40%**: light in "Red"

**Empty**: light in "Red Blinking"

**Charging**: light in "weak Red" when OFF